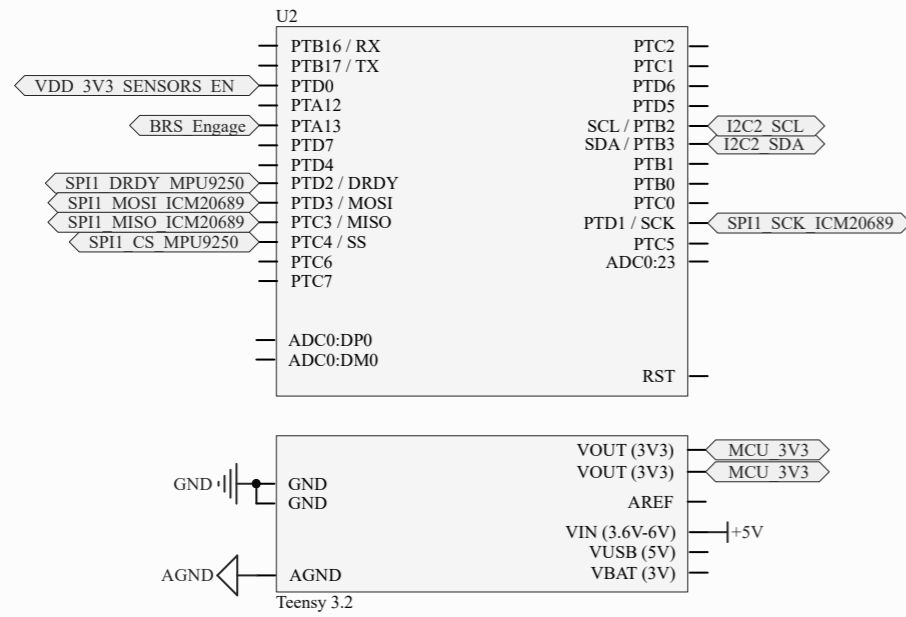
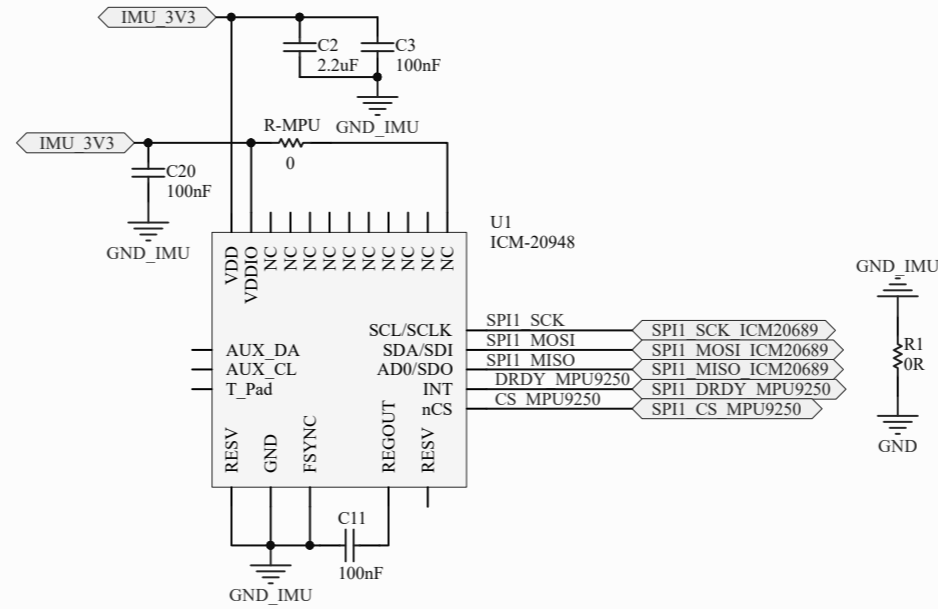


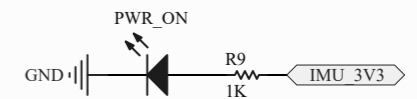
MCU



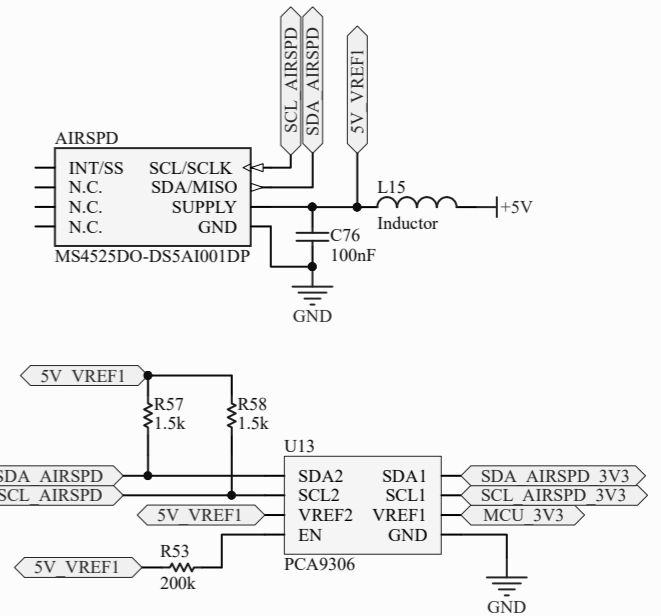
9-AXIS



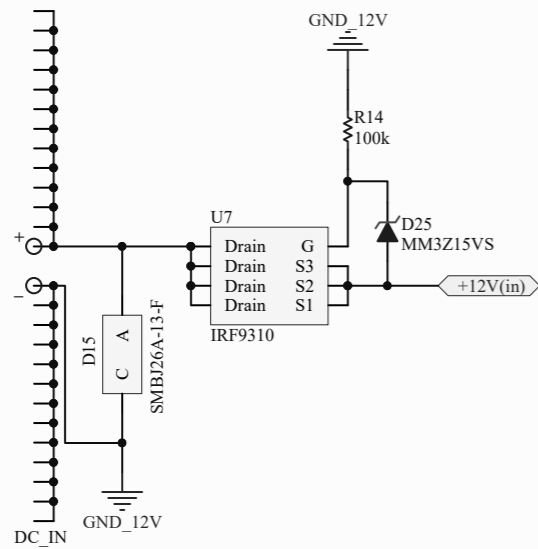
PWR_ON



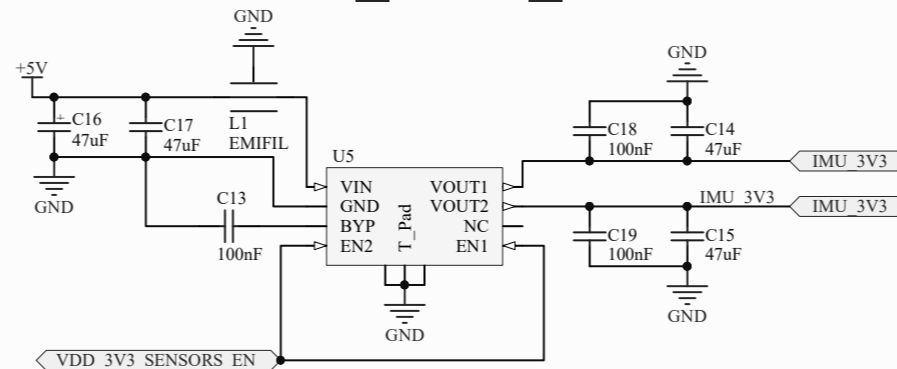
AIRSPD



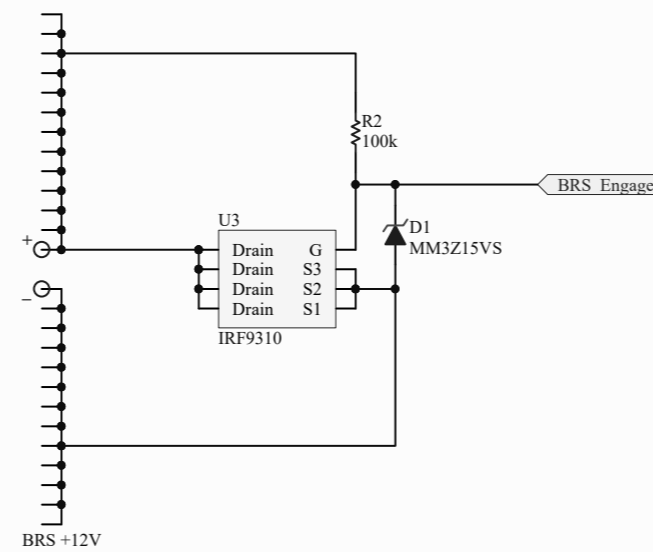
DC_In_12V



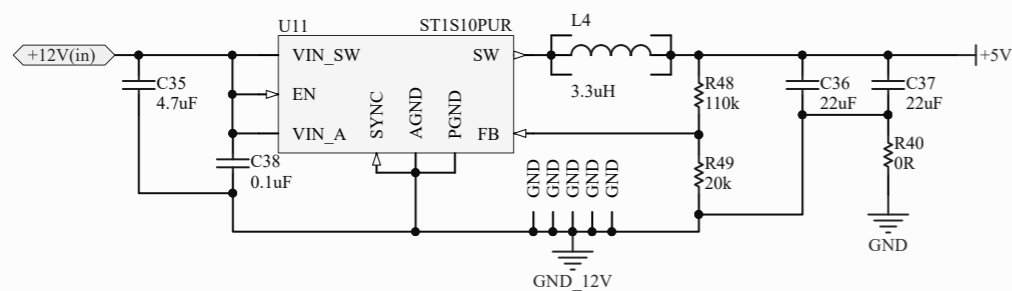
IMU_LDO_3V3



BRS_Engage



DC-DC_5V_IC



Title		
Size	Number	Revision
A3		
Date:	22.07.2022	Sheet of
File:	D:\00 ROSTECO LAB\BRS Engage	Drawn By: